



# ASSEMBLY INSTRUCTIONS



## ABOVE GROUND POOL SERIE OVALADA IBIZA

Since 1962  
C/ Sierra Calderona, nº 1  
46180 Benaguacil/Valencia  
Spain  
Tel. atención al cliente:  
96 273 01 36  
export@torrenteindustrial.com  
S.A.T:  
s.tecnico@torrenteindustrial.com  
www.piscinas-toi.es

**INDEX**

SAFETY GUIDELINES	Pág. 3
ADVICE FOR THE CORRECT INSTALLATION OF THE SWIMMING POOL	Pág. 4
DETERMINING THE LOCATION OF THE POOL	Pág. 4
TOOLS	Pág. 5
LIST OF COMPONENTS	Pág. 5
LIST OF COMPONENTS THE MODULE	Pág. 6
PREPARING THE LAND FOR THE INSTALLATION	Pág. 7
ASSEMBLY OF THR CENTRAL POLLAR	Pág. 7
ASSEMBLANCE OF THE STRAP	Pág. 7
ASSEMBLANCE SRAIGHT AREA	Pág. 8
ASSEMBLANCE OF THE METALIC GUIDES	Pág. 8
TRANSITIONAL GUIDES	Pág. 10
ASSEMBLANCE OF THE LOWER CURVED METALIC GUIDES PCM	Pág.11
ASSEMBLANCE OF THE BASE PLATE	Pág. 11
ASSEMBLANCE OF THE STEEL WALL (CH)	Pág. 11
CORRECT LINER ASSEMBLY	Pág. 12
ASSEMBLY OF THE PVC LINING (L)	Pág. 13
INSTALLATION OF THE UPPER PROTECTIVE SECTION (PL)	Pág. 14
INSTALLATION OF THE UPPER SECTION (PBS)	Pág. 14
ASSEMBLY OF THE VERTICAL SECTION (VER)	Pág. 14
THE ASSEMBLY OF THE HORIZONTAL PROFILES (HOR 1, 2, 3)	Pág. 15
ASSEMBLY OF THE TOP HUB CAPS (EMB y EMBR)	Pág. 15
LAST DETAILS	Pág. 15
INSTALLING THE RETURN VALVE (VR)	Pág. 16
WATER MAINTENANCE	Pág. 16
SAFETY MEASURES FOR HANDLING CHEMICAL PRODUCTS	Pág. 18
EMPLYING THE POOL	Pág. 18
WARRANTY	Pág. 19
CONDICIONES DE GARANTIA	Pág. 20



ATTENTION: READ THESE INSTRUCTIONS CAREFULLY BEFORE PROCEEDING TO ASSEMBLE YOUR SWIMMING POOL. REMIND ALL POOL USERS THAT THESE SAFETY INSTRUCTIONS MUST ALWAYS BE FOLLOWED-UP. KEEP THESE INSTRUCTIONS FOR FUTURE CONSULTATIONS. YOUR CHILDREN'S SAFETY DEPEND ON YOU! RISK IS HIGHER WHEN CHILDREN ARE UNDER 5 YEARS OLD. ACCIDENTS CAN HAPPEN TO EVERYBODY SO IF INSTRUCTIONS ARE NOT FOLLOWED MAY CAUSE HEALTH RISKS AND SPECIALLY IN CHILDREN!

## SAFETY GUIDELINES



- Do not install the swimming pool on balconies, terraces, roofs, areas prone to flooding or surfaces that are not completely safe.

- It is **important** to place the swimming pool near a drain to prevent possible flooding. Remember that the pool is a large water tank. If it is placed unevenly, pressure might cause its wall to collapse which would release a high quantity of water and cause considerable damage to property or injury to any person/s nearby.

- This swimming pool is designed for private use only and not for commercial purposes.

- To avoid the risk of drowning or injury always supervise young children.



- Do not attach toboggans or springboards to the pool.

- Do not dive or jump headlong into the swimming pool from a ladder, a ledge or anywhere else.

- Do not lean, sit or walk along the edge, it has not been designed for this.

- Do not use the swimming pool if you have consumed alcohol, drugs or medication.

- Do not use shoes made of metal or sharp parts.

- Do not place tables, chairs or other objects near the swimming pool. They might give children easy access to the swimming pool and cause injuries or drowning.



- Do not cut holes in the wall of the swimming pool in order to install lights or anything else that could cause serious injury, electrocution or property damage. Failure to observe this advice may result in damage to the wall.

- Never use the swimming pool at night or with low visibility.

- The swimming pool's water must be kept clean so that the bottom is always visible.

### SAFETY TIPS (STANDARD REGULATION)

#### Monitor and act

- Close and constant supervision of children is a must.

- Designate one supervisor for safety and strengthen supervision when there are more people in the pool.

- Give lifesavers to people who cannot swim.

- Teach your children to swim as soon as possible.

- Wet neck, arms and legs before entering the water.

- Learn First Aid, especially First Aid for children.

- Forbid dipping and jumping into the swimming pool in the presence of children, as well as running and rough games near the swimming pool.



- Do not authorise access to the swimming pool without lifeguard armbands or vests for children who cannot swim well or are alone in the water.

- Do not leave toys near and/or in the swimming pool without monitoring.

- Always keep the water clean and unpolluted.

- Place water treatment products out of reach of children.

#### Prevent



Some equipment may help with personal safety, however it should not replace adult supervision.

Place:

- a fence around the pool whose gate is always closed;

- an accessible phone near the swimming pool;

- a rubber ring and a pole near the swimming pool;

- a manual or automatic protection cover properly installed and set and,

- an electrical device to detect falls or someone walking towards the swimming pool.



#### In case of accident

- Take the child out of the water immediately.

- Find help as quickly as possible and follow the instructions given.

- Replace wet clothing with dry clothing.

- Memorise the emergency phone numbers such as firefighters, Red Cross, Civil Defence, ambulance, medical centre, etc. and place them near the swimming pool.



**Attention:** Filtering of water follows the installation standard NF C 15-100 which states that all electrical devices located within less than 3.50 m. from the swimming pool and which are freely accessible must be powered with low voltage, 12 volts. Any device powered with 220 V must be located at least at 3.50 m. from the edge of the pool. Permission from the manufacturer must be requested in order to modify one or all the elements of the filtering system. **Very Important:** Do not use saltwater for a filtration, voids the warranty.



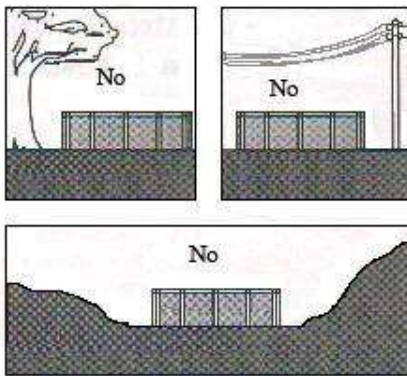
#### SAVE THESE INSTRUCTIONS FOR FUTURE REFERENCE

If you have any questions on installation, please get in touch with: [s.tecnico@torrenteindustrial.com](mailto:s.tecnico@torrenteindustrial.com)

## ADVICE FOR THE CORRECT INSTALLATION OF THE SWIMMING POOL

1. Take your time and read the instructions carefully before installation. Follow them.
2. This pool must be installed outdoors on a firm, hard-wearing and levelled floor. (Read "Warranty").
3. This set has been conceived and designed to make installation easy. The final result will depend on the care and attention given to the installation. If these instructions are followed, the swimming pool will be preserved in good condition for a long time.
4. Check your local regulations and make sure to have a building licence, if necessary. Check the electrical and local building regulations regarding the installation of above ground pools.
5. Remember that your pool is like a large water tank. If the pool is filled above the safety limits, the pressure can collapse the wall, releasing a large amount of water and causing considerable damage to property or to any person/s nearby.
6. This type of pool contains a large amount of water, therefore its weight is considerable. Take all possible safety measures to prevent accidents. To calculate the approximate weight of your pool and its water capacity, take into account that one litre is equivalent to one kilo.
7. Classify the components of the pool and make sure that you have the required tools before beginning installation.
8. Two adults are required in order to install the pool properly.
9. Installation time between two people is about 4 to 5 hours depending on the model.

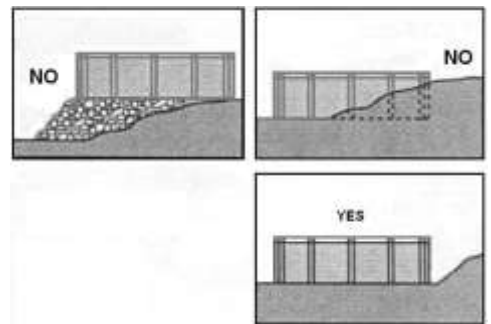
## DETERMINING THE LOCATION OF THE POOL



Never install the pool below ground level. If you do not have a large or flat enough surface area for your pool, then choose a place where you have to dig as little as possible. To flatten the chosen area, it will be necessary to remove the higher surface area in order to level it with the lowest level and not the other way round.

Install your pool in a sunny area at least 6 metres away from any electrical power point.

Do not install the pool underneath electrical wires and make sure before you start digging that there are no underground electrical or phone cables or gas pipes.



Do not install the pool under trees since branches, falling leaves and resin can be a constant problem regarding water maintenance. The further away from trees, the better for your pool.

Avoid installing your pool in areas prone to flooding or on soil recently treated with chemicals.



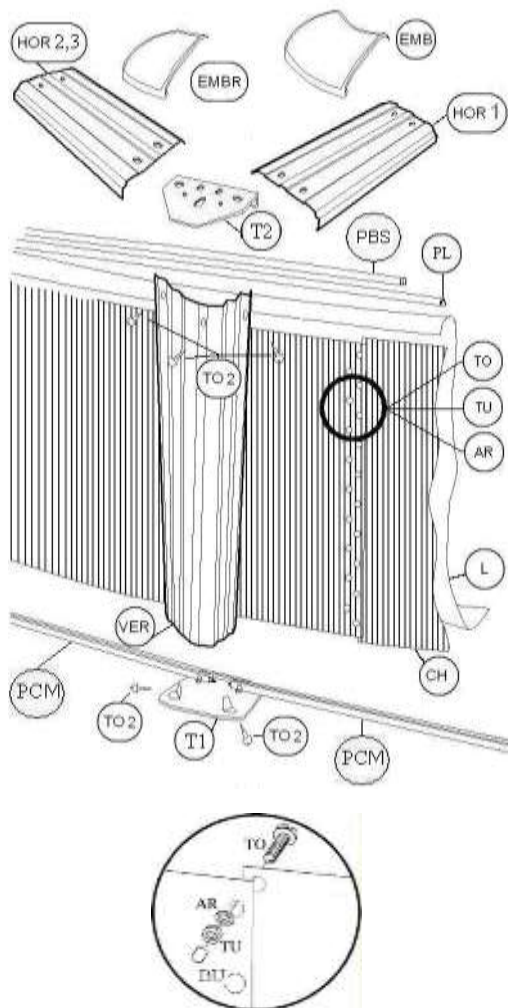
**Important:** Choose carefully the location of your pool. Make sure that the distance to other adjoining facilities (houses, fences, etc.) is appropriate. Make sure the ground is levelled. Contact the competent authorities in order to receive information related to the installation of a swimming pool in your home

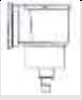

## TOOLS (not included)

<ul style="list-style-type: none"> <li>1.- A measuring tape.</li> <li>2.- A spirit level.</li> <li>3.- A marker pen.</li> <li>4.- Adhesive seal.</li> <li>5.- Cutter.</li> <li>6.- Gloves.</li> <li>7.- Pegs.</li> <li>8.- Scissors</li> </ul>	<ul style="list-style-type: none"> <li>9.- A metal saw.</li> <li>10.- A wrench.</li> <li>11.- A slot-head screwdriver.</li> <li>12.- A Torx® screwdriver.</li> <li>13.- A file.</li> <li>14.- A rake.</li> <li>15.- A stake.</li> <li>16.- Rope</li> </ul>
--	--

## LIST OF COMPONENTS

**COMPONENTS:** Remove and sort out the components of the pool before starting installation.

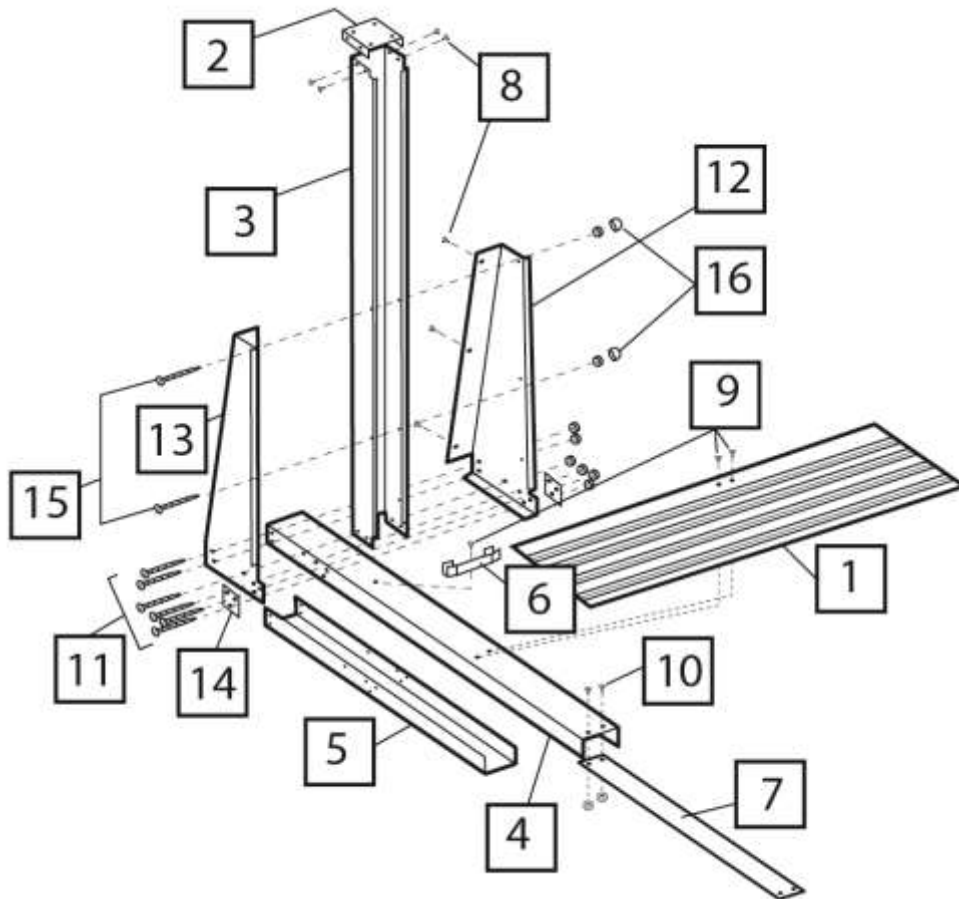


	550x366x132	640x366x132	735x366x132	914x457x132
L	1	1	1	1
CH	1	1	1	1
TO	34	34	34	34
AR	34	34	34	34
TU	34	34	34	34
T1	10	10	10	10
T2	10	10	10	10
VER	10	10	10	10
PCM	8	8	8	8
EMB	10	10	10	10
EMBR	2	4	6	6
HOR1	0	2	4	4
HOR2	4	4	4	4
HOR3	8	8	8	8
PBS	11	12	13	17
PL	15	17	19	24
TO2	90	90	90	90
BU	20	20	20	20
 SK	1	1	1	1
 VR	1	1	1	1

Ref.	Part/ item name	Ítem amount 550x366x132	Ítem amount 640x366x132	Ítem amount 731x366x132	Ítem amount 914x457x132
1	Base plate	2	4	6	6
2	Upper plate	2	4	6	6
3	Central column/pillar	2	4	6	6
4	Long U profile	2	4	6	6
5	Short U profile	2	4	6	6
6	Guide rail connector	2	4	6	6
7	Strap/ tensor	1	2	3	3
8	Screw 5,5x13	14	28	42	42
9	Screws base plate	6	12	9	9
10	Screws M5x15	4	4	4	4
11	Screws M8x 120 + nut M8	12	24	36	36
12	Right reinforcement plate	2	4	6	6
13	Left reinforcement plate	2	4	6	6
14	3 hole reinforcement	4	8	12	12
15	Screw M8x 110 + nut M8	4	8	12	12
16	Cap for nuts	4	8	12	12

## LIST OF COMPONENTS THE MODULE

Keep this numbering and drawing below for retrofitting pool.



## PREPARING THE LAND FOR THE INSTALLATION

The area has to be COMPLETELY HORIZONTAL; there can be no unevenness in the land. VERY IMPORTANT: Never install the swimming pool on top of expanded polystyrene plaques or similar. Use gloves and glasses during the installation.

Prepare the area, previous to installation, as specified in the following segment:

To mark the area where the pool is going to be located you will need: A peg or stick, a rope, a funnel (or bottle) and lime, flour or similar. For better safety, use gloves and glasses.

- If you need to level the area or floor, do not refill the gaps. You have to remove soil from the more elevated areas of the floor, to level them with the lower areas (and never the other way around), fig 1A. in any case, you will need to remove roots, stones, grass and sharp objects.
- With the help of a rake or board and a level, you will need to level off the ground and cover the gaps with sand.
- With the help of a level and a strip of wood, check periodically that the ground is 100% leveled. Level the whole area at the same level as the lowest area, fig 2.

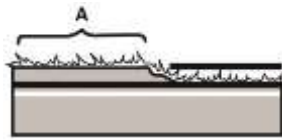


fig. 1



fig. 2

### Space required fig. 2:

Swimming pool: 550 x 366 x 132 - excavation: (X) length 610 x 518 width (Y)

Swimming pool: 640 x 366 x 132 - excavation: (X) length 700 x 518 width (Y)

Swimming pool: 730 x 366 x 132 - excavation: (X) length 790 x 518 width (Y)

Swimming pool: 915 x 457 x 132 - excavation: (X) length 975 x 610 width (Y)

## COMPONENTS

Take out and classify all of the components of the swimming pool before starting the installation, if there is any components missing within the assembly kit, you need to inform the after-sales service within 15 days after the purchase of the pool, otherwise the guarantee will not cover this.

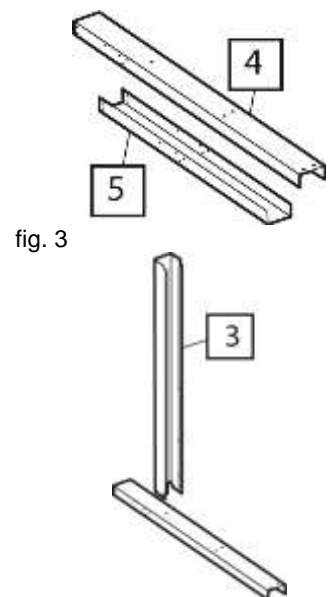
## ASSEMBLY OF THE CENTRAL PILLAR

### PRIOR TO THE ASSEMBLY



**Very important:** Always use gloves to work. The installation must be done between at least 2 people.

- Place the short U profile (5), with the open sides heading upwards, to continue, slide the long U profile (4) on top of the short profile, with the open sides heading downwards, in order to form a sort of box, make sure that the holes on both profiles match, but do not screw them, fig.3.
- Now situate the central pillar or column (3) on top of the two profiles, as shown on fig. 4.
- Situate the reinforcement plates (both right and left) (12)(13) at each side of the central pillar (3) as shown on fig. 5, the reinforcement plates have to be situated under the U profiles, use 3 screws (8) to hold the reinforcement plates.
- All holes have to match in order to situate the 8 mm x12 cm Screws and the 8 mm nuts(11). Make sure that the reinforcement (14) is situated on both sides of the ensemble. Use the 8mm x11cm screws and 8mm nuts (15) to attach the upper side of the reinforcement plates of the pillars (12) (13), fig.6.
- Once we have tightened all of the screws without forcing them, we have to situate the guide rail connector (6) with one single screw (9), as seen in fig. 7. We call each of these groups of united elements: modules.



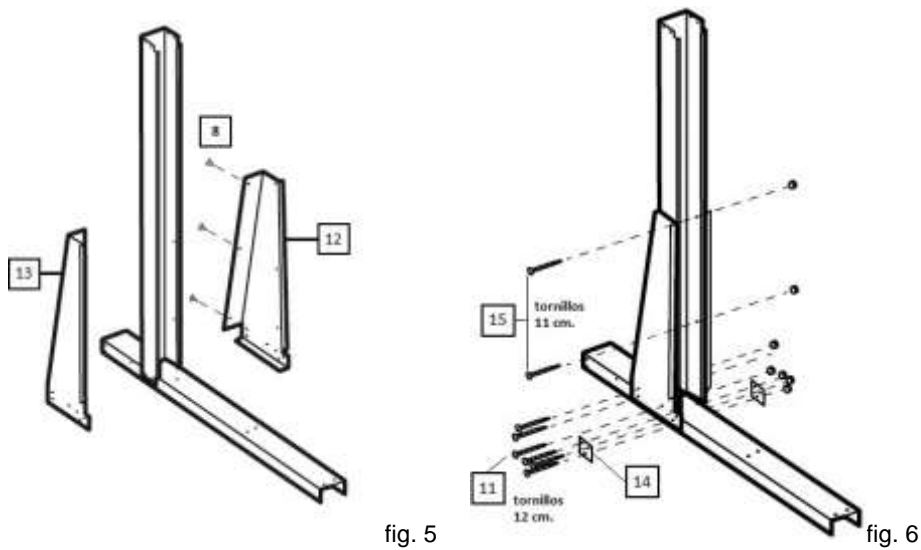


fig. 5

fig. 6

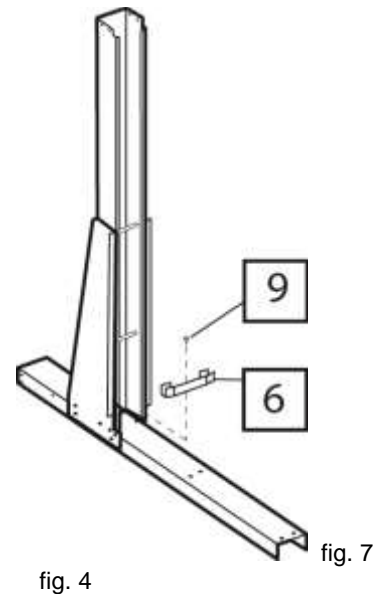


fig. 4

fig. 7

### ASSEMBLANCE OF THE STRAP

The modules have to be assembled in pairs, and have to be united between them by a strap. You have to screw the strap to the end of the piece (4) using the 5mm x 15mm screws and 6mm nuts (10), fig.8.

Take into account that the strap has to be attached to the lower part of the profile (4), fig.9. in a way that the heads of the screws are in the upper side of the profile and the nuts are in the lower side of the profile.

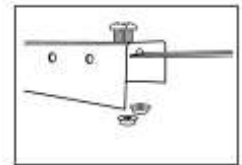


fig. 8

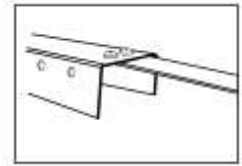


fig. 9

### ASSEMBLANCE SRAIGHT AREA

After having assembled all of the modules, and after having connected them with the strap you can now put them in their final location.

If your swimming pool has an odd number of straps (eg, a 730x366 pool with 3 straps) search for the centre of the previously leveled area and situate there the first module, then situate the others at the same length.

Always keep the same number of modules at each side of the swimming pool fig. 10 and fig. 11.

It is extremely important that all of the modules are straight, leveled and perfectly lined up. Take your time to ensure that they are situated correctly.

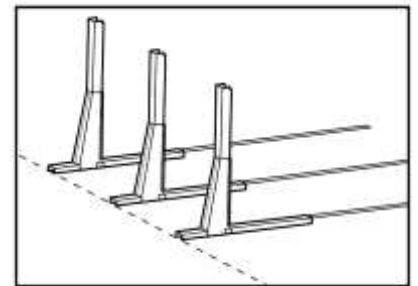


fig. 10

### ASSEMBLANCE OF THE METALIC GUIDES

The following step would be to insert the transitional guide "B", that corresponds to the swimming pool model you have acquired (see the transitional guide table) at both sides of the first module (take into account that the oval model 550x366 has NO transitional guides "B"). This transitional guide has to be situated inside the guide rail connector (6), fig. 12.

Situate the transitional guide in the guide rail connector (6), fig. 13, at each side of the pool. Then continue to assemble the transitional guides "A".

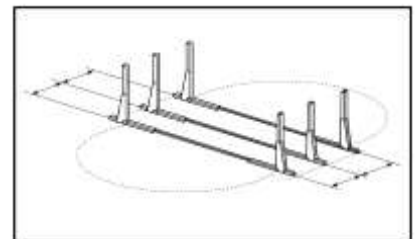


fig. 11



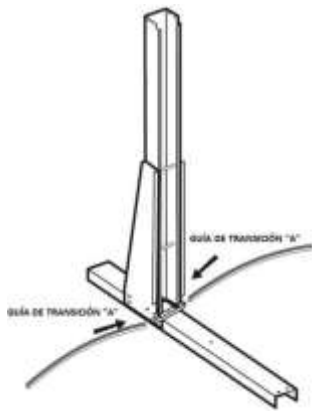


fig. 12

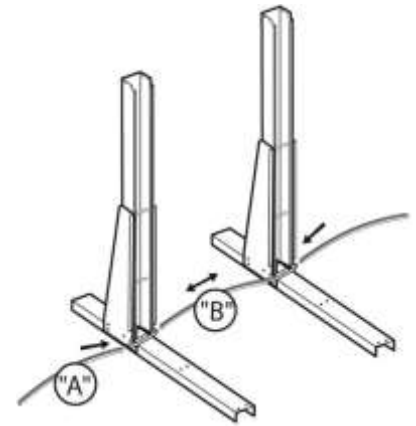


fig. 13

## TRANSITIONAL GUIDES

Transitional guides have different colours assigned to them depending on the position they occupy. Use the following table to choose the quantity and types of lower guides you need in order to assemble each swimming pool model you may have acquired.

Transitional guide table

Model	Transitional guides "A"	Transitional guides "B"	Measures
550x366 cm.	850.015 x 4 – FUCHSIA 850.014 x 8 –YELLOW (PCM)	NOT APPLICABLE	± 1.420 mm. x 4 ± 1.138 mm. x 8
640x366 cm.	850.021 x 4 – RED 850.014 x 8 – YELLOW	850.019 x 2 - WHITE	± 1.132 mm. x 4 ± 1.430 mm. x 2 ± 1.138 mm. x 8
730x366 cm.	850.021 x 4 – RED 850.014 x 8 – YELLOW (PCM)	850.017 x 4 - BLUE	± 1.132 mm. x 4 ± 1.130 mm. x 4 ± 1.138 mm. x 8
915x457cm.	850.019 x 4 – WHITE 850.022 x 8 – GREEN (PCM)	850.016 x 4 NO COLOUR	± 1.430 mm. x 4 ± 1.370 mm. x 4 ± 1.425 mm. x 8
1200x457cm.	850.019 x 4 –WHITE 850.022 x 8 – BROWN(PCM)	850.019 x 8 - WHITE	± 1.430 mm. x 12 ± 1.380 mm. x 8

Here you may see the modules and location of the transitional guides "A" and "B", fig. 13 (550 oval), fig. 14 (640 oval), fig. 15 (730/915 oval).

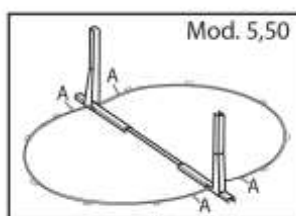


fig. 13

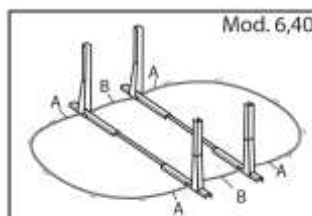


fig. 14

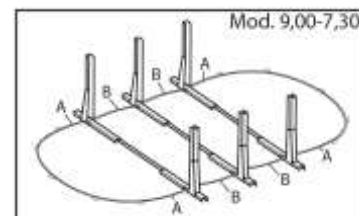


fig. 15

## ASSEMBLANCE OF THE LOWER CURVED METALIC GUIDES PCM

Just after the transitional guides A, situate the T1 plate, followed by the lower curved guide (PCM), continue to do so until the semicircle is closed, photo 3. The transitional guides A, have to go inside the T1 plate, photo 4, 5, leave a space between the profiles.



foto 1

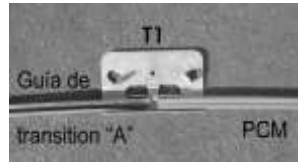


foto 2

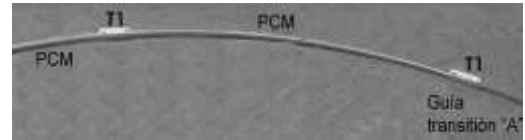


foto 3

## BURKIAL OF THE MODULES

Once the structure of the base is completely finished, make sure that the sides are straight. Make sure that the measures are correct, by measuring the distance from the exterior of the first module of the straight part, to the exterior of the one on the opposite side.

These measures have to be taken from the lower part of the modules. This is to ensure a higher precision in the measures taken.

It is extremely important that  $A=B$  and  $C=D$ , fig.17. if the measures are not equal, do not continue with the assembly, as this may cause further problems in the installation.

## ASSEMBLANCE OF THE BASE PLATE

Locate one 122cm base plate (1) in each module. The assembly of these plates must be done with the grooved side facing upwards and the plain side facing downwards. These plates have two holes on one side, you have to make sure that these holes are located towards the central column, fig.18.

The holes on the base plate have to match the holes on the U profile. Then, they must be attached between them by the screws (9).

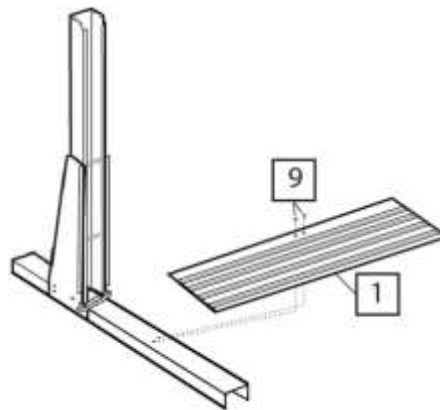


fig. 18

With spray paint, flour or lime, we have to draw the outline of one of the modules on the ground. Once we have drawn it, we move the module to one side and remove the soil underneath with the help of a shovel (video: <https://www.youtube.com/watch?v=508QF1PduIk>). The depth of the hole must be around 5 cm., fig. 18, and must be completely leveled. Once the hole is finished and leveled, we put the module inside it and make sure that it is correctly leveled by putting a level on top of the module, fig. 19.

This process will need to be repeated on each of the modules of the swimming pool. You will then need to check the measures with the measuring tape again, to make sure that the modules have not moved during the process (and are still on their exact location) fig.18.

We will then situate a floor tile under each module, on the back side of the module fig.20. To do this, we incline the module and we remove soil until the tile is leveled. Once the tile is installed, we check again that the module is leveled, and we measure again fig. 19.

To finish, we cover the tile with soil. We will then situate again the transitional guides “B” and “A”. The “B” transitional guides must be settled in their place by removing or refilling with ground until it is leveled.

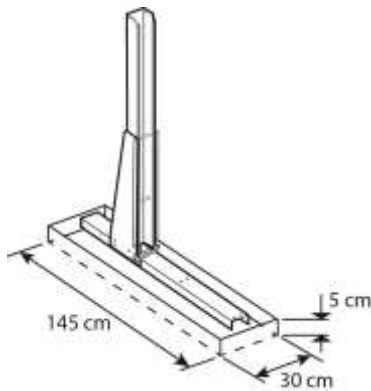


fig. 18

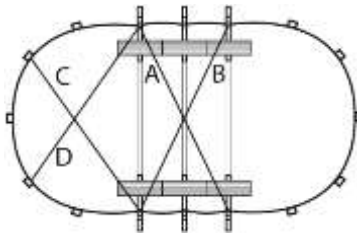


fig. 19

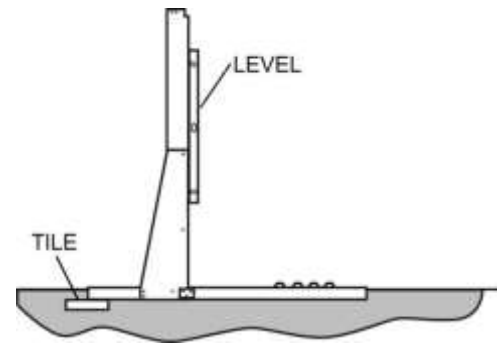


fig. 20

### ASSEMBLANCE OF THE STEEL WALL (CH)

The installation has to be done between two or more people in a sunny non-windy day. It is extremely important to use gloves and glasses during the installation to avoid any possible accidents with the steel edges. During the assembly, do not fold the steel wall, and unroll it very carefully.

- a) Situate the steel wall vertically (the interior label of the wall facing upwards) on top of a cardboard in the centre of the circle, this will help you unroll the steel wall easier and will avoid any scratches on the steel wall. The opening prepared to locate the skimmer is at the end of the steel roll.



**Remember:** to use gloves and glasses during the assembly of the steel wall to avoid any cuts.

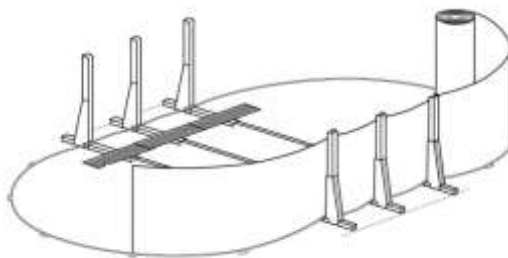


fig. 21

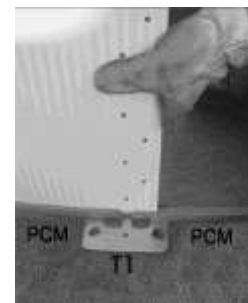


foto 4

- b) Without finishing to unfold it completely, start situating the wall in the opening you can find on the lower guides. The beginning of the steel wall must be situated in a T1 base plate, photo 4. You would normally start with the assembly of the wall on the base plate T1 situated at the center of the semicircle, to ensure that the opening prepared for the skimmer is located next to it, once it has been completely unrolled.
- c) Continue to check regularly that the wall is being well placed in the opening of the guides PCM. Check that the transitional guides are well located too.
  - ⚠ Advice: to avoid the walls falling towards the inside while installing the pool, seal the wall to the vertical columns or pillars (1), photo 5.
- d) Complete the circle with the wall and make sure that the holes on each end of the steel wall match each other, then close with the screws (TO), making sure that the head of the screws is situated in the internal part of the wall, and the washers (AR) and nuts (TU) must be situated on the outside of the pool, fig 22.



foto 5

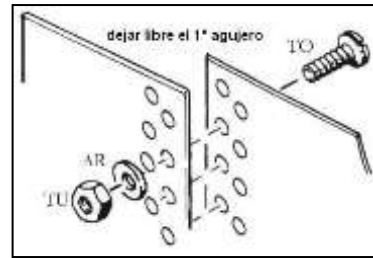
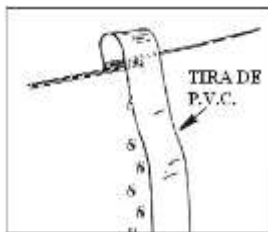


fig. 22

**Very important:** Put all of the screws in the steel wall, starting from the bottom and going towards the top end of the wall, leaving the first hole on the top side with no screw. Press all of the screws using a screwdriver and a wrench to press the nuts. If the installation and the fastening of the screws and nuts is not correct or complete, the guarantee of the pool is lost.

- e) Situate the PVC strap covering the heads of the screws (in the inside of the pool), in order to protect the liner from the friction with the screws fig. 23. This strap must be strongly stuck in this area, if needed, use adhesive tape or similar to stick it to the steel wall.



- ⚠ Before the installation of the liner, check that the guides form a geometrical curve. Check with a meter that the pool has the correct measures before putting the liner.

fig. 23

f) Before the installation of the liner, put a layer of thin sieved sand (no stones) on the interior area of the pool, with a 5cm thickness. Make sure to cover all metallic parts of the pool that may damage the liner, if not, the guarantee will be lost. Use a rake to make sure that the layer of sand is leveled.

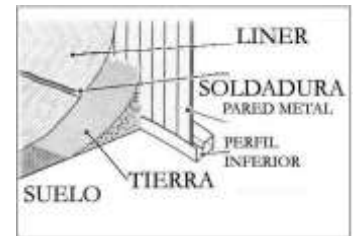


fig. 24

**VERY IMPORTANT:** Use clean sand (no stones or other objects) to cover the perimeter around the inside of the pool, creating a triangular wedge (20 cm height, 20 cm base). This way we will avoid that the water pressure damages the liner, at the same time as we avoid that the liner slides under the steel wall, helping a correct distribution of the forces. It is very important not to use thin grain sand, or beach sand, fig. 24. Not putting this sand wedge cancels the guarantee.

## TAPESTRY

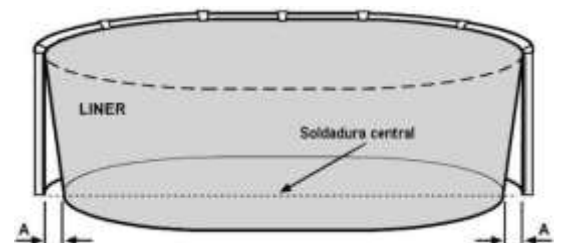
Before installing the liner, it is advisable to situate tapestry TOI or artificial grass on the whole interior of the pool, including on top of the sand wedge.

## CORRECT LINER ASSEMBLY

In order to install the liner correctly, the liner must be perfectly centered, matching the swimming pool's base. It is extremely important to make sure that it has the minimum amount of wrinkles possible.

1.- The central welding line that appears in the base of the liner must be located in order that its ends match with the metallic plates that unite the lower guides of the pool. The central welding line must be completely centered.

2.- The distance from the liner to the steel wall must be equal in both curves "A-A", fig. 25, so we can adjust equally the liner wall in both curves.



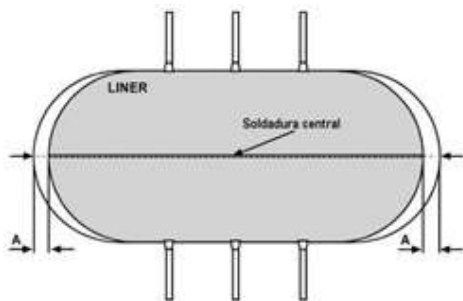
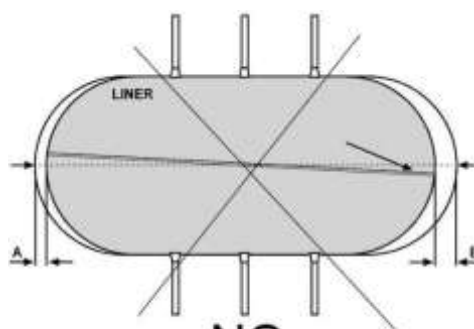


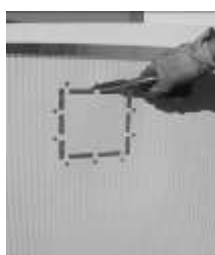
fig. 25 OK



NO

## ASSEMBLY OF THE PVC LINING (L)

Before the assembly of the liner, you have to cut (with scissors for cutting metal), the hole that is prepared for the skimmer. You then need to file down the parts you have just cut, to ensure that the metal cannot damage the liner.



fotos 6

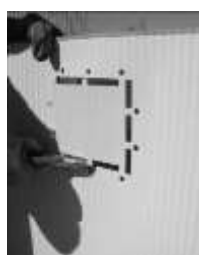


foto 7



foto 8



foto 9

**Important:** install the liner between two people or more. The PVC used in our liners has been designed to resist solar exposure for a long period of time. Depending on certain uses or climatological conditions, the characteristics of this material might vary slightly.

Never walk on top of the liner with shoes on or leave any tools on top of your liner. If the liner is punctured during the installation, its guarantee is cancelled (**check liner guarantee**).

The liner is the most important and delicate piece of your swimming pool. Unpack your liner without using knives or sharp objects, and separate the liner from the rest of the pieces of your pool. Keep it in a safe place, where it cannot be damaged with any tools or with the steel wall of your pool.

Assemble your liner on a sunny day (at least 20°C). The liner has been developed based on a vinyl material which has a great degree of flexibility (so it can adapt properly during the assembly of the pool), therefore it must be warm during the installation of your swimming pool.

- Locate the liner (L) in the centre of the pool, photo 10, and unfold it along the pool, photo 11. The central welding that unites the base of the pool has to be perfectly centered. Important: as you unfold the liner, turn it around so the wrinkled part faces upwards and the shiny part faces downwards.
- Lift the liner wall, so you cover the upper edge of the steel wall of your pool and hold it in place with clothes pegs. Once the liner has been located, it may have some kinds of bags or excess of material in the lower end. Correct this exceeding material by pulling softly from the liner (from the outside of the pool). It is extremely important that the liner is centered, and that the central welding on the base of the liner is situated in the center of the pool. You also have to ensure that it has the least number of wrinkles possible. In order to reduce the number of wrinkles on the pools floor, you have to spread the liner towards the sides of the pool, while the pool is being filled with water. Take your time with this step in order to reduce wrinkles.

Fill in the pool with more or less 2 cm. of water, and keep stretching and spreading the liner from the central welding and towards the sides and upper side, so it gets as tense as possible, photo 13. Check that the water is distributed equally along the pool. If the water forms puddles around the pool floor, it means there are still gaps on the land. If the water gathers at one side of the pool, it means the area was not correctly leveled. If this is so, you would need to start again the whole process of the installation, starting by leveling the area correctly.

- Once the floor is free of wrinkles, fill the pool with water up to 30cm, DO NOT FILL IT IN COMPLETELY AT THIS POINT. The pressure made by the water will stick the liner to the walls and floor.
- At the same time, check that the liner is adapting properly to the walls and correct any exceeding liner by pulling smoothly from the outside of the pool to reduce the amount of liner in the pool.

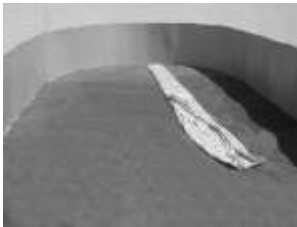


foto 10



foto 11



foto 12



foto 13

## INSTALLATION OF THE UPPER PROTECTIVE SECTION (PL)

- e) Remove the clamps while installing the protective profile (PL), fig. 24, over the liner and around the perimeter of the pool.
- f) Mark and cut off the protector surplus, photos 15 and 16



foto 14



foto 15



foto 16

## INSTALLATION OF THE UPPER SECTION (PBS)

**Important:** If your pool has included the decorated band, place it as per the decoration's manual, before installing the upper profiles PBS.

- g) Position the upper section (PBS) on top of the protective section (PL) around the entire pool perimeter, photo 17.
- h) Mark and cut off the protector surplus, photos 18 and 19. To prevent the pool wall from falling inwards, place the upper plate (5) on the central columns (1).



foto 17



foto 18



foto 19

## ASSEMBLY OF THE VERTICAL SECTIONS (VER)

- a. Align the lower part of one of the vertical sections (VER) (1) with the two small tabs on the base plates (T1) (2). The tabs must be on the inside of the vertical section, fig. 26.
- b. Align the openings for positioning screws TO2 (3), on either side of the vertical section, making sure that they attach to the holes in the T1 (2) plate tabs, fig. 26.
- c. Place an upper section (T2) (4) onto the top edge of the pool and on a vertical column (VER), with the tabs on the inside of the section, fig. 27.
- d. Align the openings for positioning screws TO2 (6), fig. 27, in the three holes in the vertical section, making sure they fit into the T2 (6) tab holes.
- e. Repeat steps a, b, c, d in the other sections around the pool.

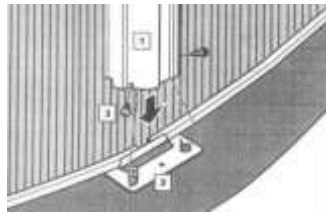


fig. 26

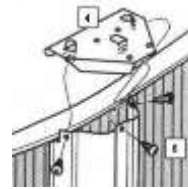


fig. 27

## THE ASSEMBLY OF THE HORIZONTAL PROFILES (HOR 1, 2, 3)

- Photos 20 and 21, install the upper profiles HOR1 (straight cut) on top of the central pillars, locating the extremes on top of the upper plate, fig 28. Situate and screw the screws without pressing them yet. The 550x366 pools do not have an upper HOR1 profile, so you need to start with the HOR 2 profile (section b).
- Locate all of the upper profiles HOR2 on top of the vertical columns, on top of the T2 plate, photos 22 and 23. Match the holes on them and screw the screw without pressing them yet.
- Adjust the upper profiles until you locate them together, but without putting one on top of the other. Press all of the screws, photo 23.



foto 20



foto 21

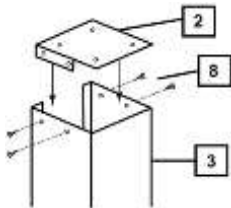
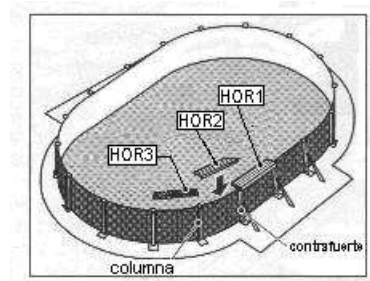


fig. 28



foto 22



foto 23

**Important:** If any of the vertical columns (VER) is not straight with respect to the ripple wall, adjust the vertical column giving light hammer blows to a piece of wood on the base plate (T1). If the top of the vertical column is not aligned it must also be adjusted.

## ASSEMBLY OF THE TOP HUB CAPS (EMB y EMBR)

Align a trim (EMB) in the curve on the ends of two top profiles. Hook the trim underneath the internal edges of the top profiles, photo 23 and pull towards you, photo 24, hooking the trim on the outer part, photo 25. Repeat with the other trims.

Align a trim (EMBR) in the straight part, hook the bezel below the inner edges of the top profiles and pull towards you, hooking the trim on the exterior part.



foto 23



foto 24



foto 25

## LAST DETAILS

- You must place the Warning Sticker in a visible place, fig. 29, 30.



- Place the cap (BU) to the ends of the screws at the bottom of the profiles, fig. 31.
- Situate the tips (16) on the on the nuts of the modules, fig. 32.



fig. 29

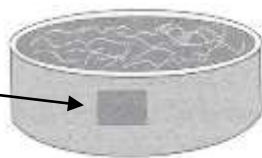


fig. 30



fig. 31

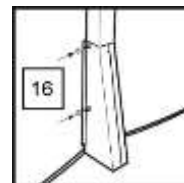


fig.32

- Attach the ladder according to the assembly instructions, put it in a place intended for entry and exit from the pool and if possible visible. Remove the ladder after use.

- Assemble the filtration unit following the instructions. The filtration equipment must be separated from the pool by at least 3.5 meters once it has been connected to the pool by hoses.

## INSTALLING THE RETURN VALVE (VR)

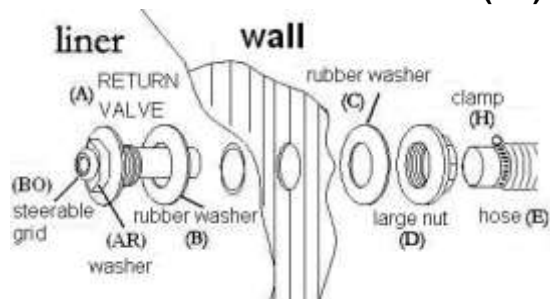


fig. 33

The return valve is an element which brings back the filtered water from the filter system, fig. 33. Important: Place Teflon on all threads. Teflon excess may break the components. Remove the rear fitting of the return valve and place Teflon, screw all the way.

1) Once the water is at +/- 10 cm., fig. 34, below the lower edge of the valve, mark the hole in the liner with a felt pen and with a sharp blade, cut the liner carefully into a cross-shape from the inner wall of the pool towards the outer wall, without going past the punched hole.

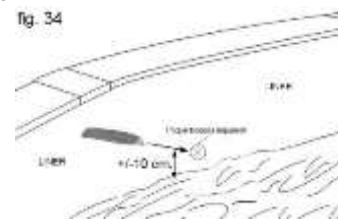


fig. 34

2) On the return valve (A), once the seals are placed, the rubber (B) is introduced into this pre-cut hole, from the interior wall to the exterior wall. Cut the piece of liner that hangs on the external side.

3) Place the rubber washer (C) on the outer wall, put Teflon on the threads and tighten firmly with the large nut (D) inserting Teflon and the return hose (E), which runs from the filter system to the return valve (a) and secure it with a clamp (H).

For better filtering we advise you to direct the water. In order to do this, you will have to loosen the washer (AR), move the swivel ball (BO) slightly upwards to one side of the pool and tighten the washer (AR). In this way impurities will be directed towards the skimmer.

## INSTALLING THE SKIMMER (SK)

Keep on filling the swimming pool with water up to 5 cm below the skimmer hole, fig. 35. With a felt pen mark on the liner the square hole for the installation of the skimmer and cut the piece of liner marked with a sharp blade.

Place the double rubber washer (Z) on the steel wall. The steel wall and liner must go inside the grooves of the washer. Next, install the skimmer frame with the screws. Make sure that all the holes are lined up (washer, hole and skimmer). Fix the holes with the screws one after the other until a perfect match is made, but do not tighten them up too much. Start fastening and finally tighten the screws firmly following the same order, fig. 36.

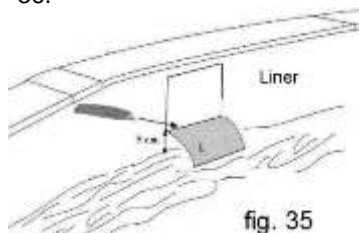


fig. 35

Cover the frame (M) threading with Teflon and fasten it up firmly into the skimmer. Fix one hose end to the frame (M) with a clamp (H). Connect the other hose end to the filter water inlet and tighten with a clamp.

It is important to use Teflon for all threadings so as to make sure that it is waterproof. Install the gate (P) with a screwdriver. Finally, place the basket (S) inside the skimmer and the lid (V) on top of it.

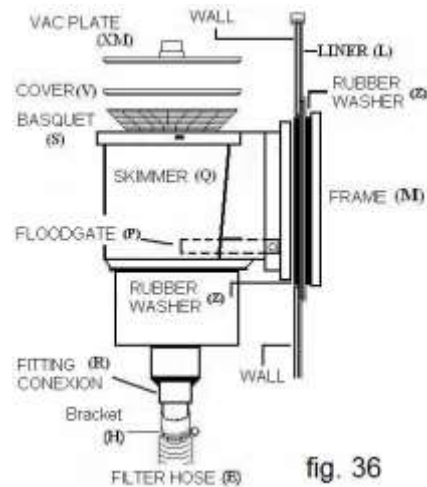


fig. 36

## WATER MAINTENANCE

All swimming pools need chemical treatment to maintain the sanitised and crystal clear water. Check with your chemical products supplier to determine which are best for your needs. Water treatment procedure is not the same everywhere since it depends on



the water quality in each region.

**WARNING:** An incorrect treatment may cause water pollution which can result in infections, poisoning or disease.

The best water quality is obtained by using the right treatment. To prevent the growth of algae and bacteria, use bactericide, algaecide, water pH correctors and flocculants (except for cartridge filters). Apply the first chlorine treatment within 24 hours of filling in the pool.

Never add chemical products directly to the water. Chemicals must be diluted before being introduced into the water. Otherwise the liner could be damaged. However, it is easier to keep the water clean than to clean already polluted water. Use your filter frequently.

Water maintenance is the most important factor in making your pool liner look excellent and last for a long time. Therefore, follow the instructions in the filter manual. The filter capacity must be high enough to filter the water of the pool 3 times every 24 hours. The filter must be connected even when there is nobody in the pool.

Make sure to check the water at least once a week, to keep the pool in optimum condition. Make sure that you do the following on a frequent basis:

- Analyse the water pH and make sure it is between 7.2 and 7.6.
- Analyse the chlorine level and make sure it is between 0.5 and 2 grams per cubic meter.
- Remove any leaves and insects from the water.

Make sure that you do the following on a weekly basis:

- Add the correct maintenance quantity of algaecide.
- Add anti-calcareous product if lime is formed or the water is hard.
- Use flocculants to improve filtering (except when using a cartridge filter).

## **SAFETY MEASURES FOR HANDLING CHEMICAL PRODUCTS**

The following precautions must be followed when handling chemical products:

- Use gloves to protect your hands and a mask or goggles for eye protection.
- No smoking where the products are stored or used. Many products are flammable.
- Wash your hands and face after using the products.
- Store the products in a dark and dry place. Do not leave the products in the sun.
- Make sure that the containers are closed. Tighten their caps or lids.
- Do not leave the products within the reach of children. Make sure that the products are stored out of reach in a safe place.
- Do not re-use empty containers.
- Keep the products in their original containers.
- Do not remove the labels from the containers.
- Make sure that the storage area for chemical products has proper ventilation.
- When raining, increase the amount of chlorine and anti-algae bactericide.
- When adding water to the pool, check again the chlorine and anti-algae bactericide level.
- Keep the place where the chemical products are stored well ventilated.

## **POOL MAINTENANCE**

After your pool has been completely installed, follow these instructions to keep it clean and in good condition.

- Liner – Regularly check for leaks in the liner. Use the repair kit for small repairs on the liner.
- Pool wall – Keep it clean, using a neutral pH detergent. Do not use abrasives, chemicals or cleaning solutions.

Rinse out silt chemical products used for water treatment straight away. Coat all visible screw heads with transparent outdoor varnish.

Check the metal parts for rust, at least once a year. Coat all scratches and rusted areas with an anti-rust primer. Follow the instructions for applying the paint.

At the end of the season, drain the water until the water level is 30 cm. Remove the upper part of the liner and check for possible rust on the inner side of the pool wall. Pay special attention to leaks in the filter and outlet holes. Leaks must be repaired straight away.

## SHOCK CHLORINATION

Destroys quickly and efficiently all microorganisms, bacteria and fungi if the chlorine level is raised up to 20 ppm approximately.

Shock chlorination is recommended in the following cases:

- At the beginning of the bathing season.
- Depending on special weather conditions (i.e. storms, rain, etc).
- In case of intensive use of the swimming pool.

**Cleaning the bottom of the swimming pool by aspirating: only for pools with skimmer and filter with engines 6, 8, 10 y 15 m<sup>3</sup>.** Connect the end of the hose to the brush and immerse it in the water for the hose to get filled up. Connect the other end of the hose to the aspiration cover and put it on the basket of the skimmer. Start the filter system in Drain Off mode and start cleaning the bottom.

**Cleaning the bottom of the pool with a venturi sweeper jet:** Connect a hose to the head of the venturi sweeper jet and immerse it in the swimming pool. Open the tap with a normal pressure and the venturi sweeper jet will start working. The water bounces on the ground producing an upwards flow that collects and deposits the dirt inside the filter-bag.

Problems	Causes	Solutions
Murky water	Poor filtration. High pH. Excess of organic residue.	Backwash the filter. Add a flocculating agent with a dispenser. Carry out a shock chlorination except in cartridge filters.
Green water	Algae formation.	Brush the bottom and the wall of the pool. Analyse the water's pH and adjust to between 7.2 and 7.6. Carry out a shock chlorination and add extra anti-algae bactericide.
Brown water	Presence of iron and manganese.	Analyse the water's pH and adjust to between 7.2 and 7.6. Carry out a shock chlorination.
Lime deposit	Water calcium salts.	Analyse the water's pH and adjust to between 7.2 and 7.6. Add anti-calcareous product once a week.
Eyes and skin irritation	Imbalanced pH. Excess of organic residue.	Analyse the water's pH and adjust to between 7.2 and 7.6. Carry out a shock chlorination.

## CARE DURING THE WINTER MONTHS

If we decide to keep the pool up during the winter, you must follow these guidelines at the end of the season to prepare your swimming pool.

- Check all joints and screws.
- Check possible and treat rusted areas.
- Clean the liner with mild soap and water in case of leakage repair them, never with abrasive products.
- Remove all accessories, including the ladder, clean it with fresh water.

Disconnect the hose from the debugger and return valves (not remove the skimmer or the valve input and output) close the skimmer and return valve with plug attached. For pools with inlet and outlet water, let the water level 15 cm. below the upper profile. For pools with skimmer and valve outlet, the water level must be below the skimmer 5cm. In both cases, do not leave empty pool. Drain cleaner sand or remove the cartridge, clean, dry and store in a dry place.

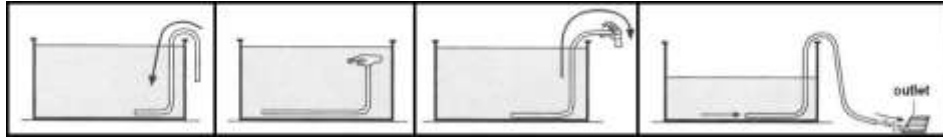
- Protect the pool with a cover to keep the flat roof, put an inflatable element or float between water and cover to prevent rain or other weather elements from damaging the liner. Commissioning again, remove the cover, install the filter, if necessary empty the pool and clean the liner with no abrasives, fill the pool with water and make a shock chlorination, connect the debugger at least 8 h. uninterrupted.



## EMPTYING THE POOL

First check the filter instructions to make sure that your filter has the Option to Empty.

Use the Communicating Vessels Principle: first completely submerge a hose in the pool until it is full of water. Then cover one end with your finger and take it out of the pool. Water will start to come out. Make sure to keep the other end of the hose submerged in order to empty the pool.



Once you empty the pool, carefully dismantled in reverse order of the installation in order not to damage or deform the pool.

Check that all parts are clean and dry before storing. Before storing the liner, clean with mild soap and water, do not use abrasive products, remove all impurities and dry with a cloth or paper towel in order to keep it in top condition and prevent odors and moisture, fold the liner and save in a dry and protected from the sun.

In the event that an item is damaged, replace it as soon as possible with original accessories TORRENTE INDUSTRIAL S.L.



## WARRANTY ▣ WARRANTY▣WARRANTY ▣ WARRANTY

### GENERAL CONDITIONS

The seller guarantees that this product is in perfect condition at the moment of delivery.

The period of this warranty is of (2) years and it will be calculated from the moment of delivery.

If there is a lack of compliance and the buyer notifies it within the guarantee period, the seller must repair or replace the product at the place deemed appropriate unless this is impossible or unfeasible.

If the product cannot be repaired, the buyer can request a proportional reduction in the price of the product or if the lack of compliance is considerable, the termination of the sales agreement.

The replaced or repaired components will not increase the period of the original product's warranty. However they will have their own warranty period.

In order to make effective this warranty, the buyer will have to show both the date of purchase and of delivery of the product.

After more than 6 months since delivery, if the buyer claims lack of compliance of this product, he/she will have to show the origin and existence of the alleged defect.

The present warranty certificate does not limit or prejudices consumer rights that follow national regulation by legal imperative.

### SPECIFIC CONDITIONS

This warranty covers the products in this manual.

This warranty certificate will apply only to countries in the European Union.

For the effectiveness of this warranty, the buyer must strictly follow the manufacturer's instructions included in the document accompanying the product, when this is applicable according to the range and product model.

When a set of dates has been established for replacement, maintenance or cleaning of certain pieces or components of the product, this warranty will only be valid when these dates have been followed correctly.

### LIMITATIONS

This warranty will only apply to purchases made by consumers, meaning, a buyer who has acquired the product with no commercial purposes.

There is no warranty for wear and tear of the product. Regarding pieces, components and/or other expendable goods such as batteries, light bulbs, etc., this will be treated according to the documents accompanying the product in each case.

The guarantee does not cover cases in which the product: 1. – has been misused. 2. – has been repaired, maintained or manipulated by a non-authorized person. 3. has been repaired or maintained with non-original pieces.

When the lack of conformity of the product is due to an incorrect installation or start-up, this warranty will only be effective when such installation or start-up was included in the purchase agreement of the product or when it has been done by the seller or under its responsibility.

**Nº DE GARANTIA**

**ESTABLISHMENT STAMP**

TORRENTE INDUSTRIAL S.L.  
C/ Sierra Calderona, nº 1  
46180 Benaguacil ▣ Valencia ▣ España  
Teléfono: 96 273 01 36  
Web.: [www.piscinas-toi.com](http://www.piscinas-toi.com)  
S.A.T.: [s.tecnico@torrenteindustrial.com](mailto:s.tecnico@torrenteindustrial.com)



## TOI SWIMMING POOLS – GUARANTEE’S CONDITIONS

Components	Warranty	Loss of the Warranty
Liner	This warranty covers any welding manufacturing defect for 1 year. These defects, if they exist, must appear not long after having assembled the pool. Within 15 days after assembly, this Warranty will be void, as the preservation of the liner depends on the use of the buyer.	Puncture or pores in the surface of the liner, produced by wrong handling while assembling the pool, unpacking or incorrect storage voids the warranty. Use of aggressive chemical products (such as hydrochloric acid or solid chlorine) voids the warranty. In case of dismantling to reassemble the swimming pool in another place or the following year voids the warranty
Metallic Band	The warranty covers 2 years for any manufacturing defect, as well as rust. The metallic band has to be assembled as per the Manual of Instructions, putting <b>all</b> pieces, screws and bolts in place.	To bury the swimming pool even if partially, completely voids the warranty, because these pools are designed to be assembled only above-ground. Paint or the use of chemicals products on the metallic band or the use of corrosive products to clean the pool's surrounding area voids the warranty against rust oxidation. Filtration using saltwater, salt oxidizes the metal parts
Filter System	The warranty covers 1 year against any manufacturing defect. The assembly and maintenance of the filter system will have to be done as the Manual of Instructions shows.	Clogging produced by vegetation due to a bad maintenance of the pool as well as the use of acidic products voids the warranty. If the pump has been handled and/or manipulated by non-qualified people the warranty is void. Pump damage produced by making it work on an empty pool also voids the warranty. The warranty is void if the instructions for electric installation have not been followed thoroughly.
Decoh! Pool	The warranty of the Decoh! Pool covers 6 months against any manufacturing defect. The warranty of Decoh! Pool covers the loss of colour during 1 summer because this is a biodegradable product sensitive to solar radiation (which varies depending on the pool's location).	<b>Cuts and tears</b> produced during assembly and discolouration produced by spillage of chemical products are not covered by the warranty. The warranty does not cover the use of this article on any other pools except TOI pools.
Winter Cover	The warranty covers 1 year against any manufacturing defect.	<b>Tears</b> produced by inclement weather. Incorrect dimensions provided by the buyer.

### GENERAL EXCLUSION OF THE WARRANTY

TOI's Warranty will not apply in the following cases:

- When engine failure or damages have been produced by an incorrect use, assembly or bad handling of the product.
- When damages to the product have been produced by natural disasters, acts of nature or force majeure.

In case of any problems, remember:

- It is important to keep and supply the purchase receipt should an issue arise.
- Also, it is important to provide the batch number (inside the package).
- If you see that the package is damaged or spoilt when the pool is received, you must write an observation on the Delivery Note, even if the damage cannot be ascertained until after unpacking.
- If the presence of a specialised technician is required to solve the problem and they see that the problem has been caused by the buyer due to bad handling or assembly, the expenses will be paid by the buyer, NOT the seller