

Timberpool Larch wood Swimming pools



TIMBER
POOL
SWIMMINGPOOLS



Carefree swimming

With a Timberpool swimming pool you have chosen to enjoy years of carefree swimming pleasure. Timberpool are not only built using a strong construction system they are manufactured using only the finest larch wood from Siberia. This combination results in an easy to build Timberpool swimming pool and the piece of mind of a 15 year structural guarantee.





Only the best wood is good enough

Wood from the Siberian larch is known for its durability, even in a wet environment. Siberian larch wood remains in optimum condition for many years. The qualities of larch wood means that it is used for telephone poles, mooring places, terrace boards, bridges and in many other jobs where durability is needed in and out of water. One of the many advantages of using Siberian larch wood is that it does not need to be painted or preserved.

For the coping around the edges of the Timberpool swimming pool Balau wood is used. Balau is a knot-free hardwood which complements perfectly with the larch wood walls of the Timberpool swimming pool and the combination is not only beautiful but durable and strong.



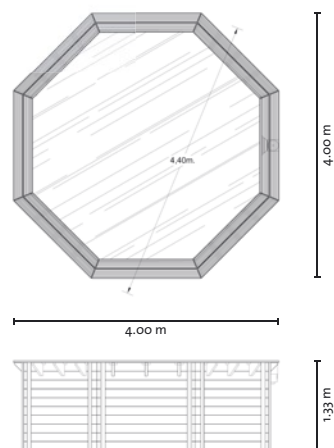
Sizes and models

Swimming pool

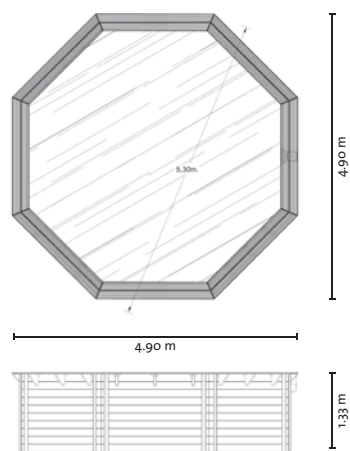
Article number	Description
50830000	Ø 4,40 m, height 133 cm
50830010	Ø 5,30 m, height 133 cm
50830020	Ø 6,55 m, height 133 cm
50830030	6,40 m x 4,00 m, height 133 cm
50830040	8,40 m x 4,90 m, height 133 cm

Timberpool swimming pools, existing from:

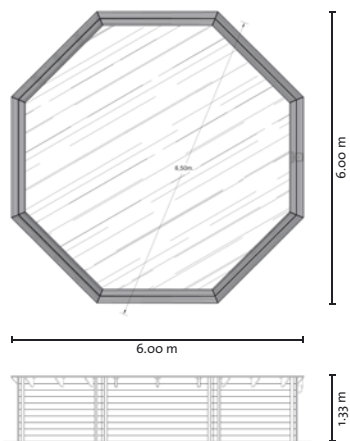
- Swimming pool (Wall thickness 42mm)
- Swimming pool liner (Blue, thickness 75/100)
- Skimmer and inlet
- Stainless Steel ladder
- Wooden ladder (Larchwood and Balau)
- Filter and pump



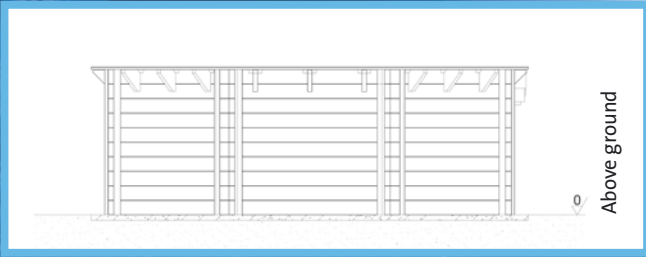
50830000 - Ø 4,40 m, height 133 cm



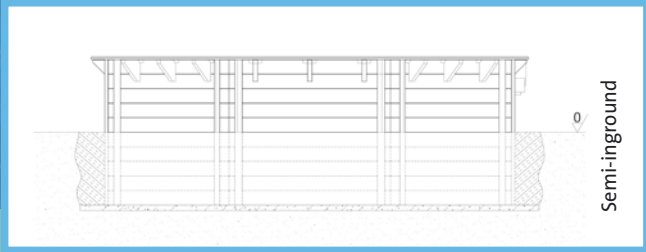
50830010 - Ø 5,30 m, height 133 cm



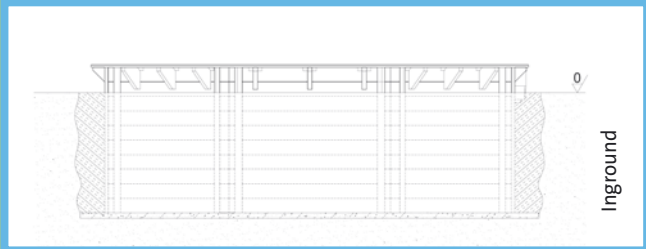
50830020 - Ø 6,55 m, height 133 cm



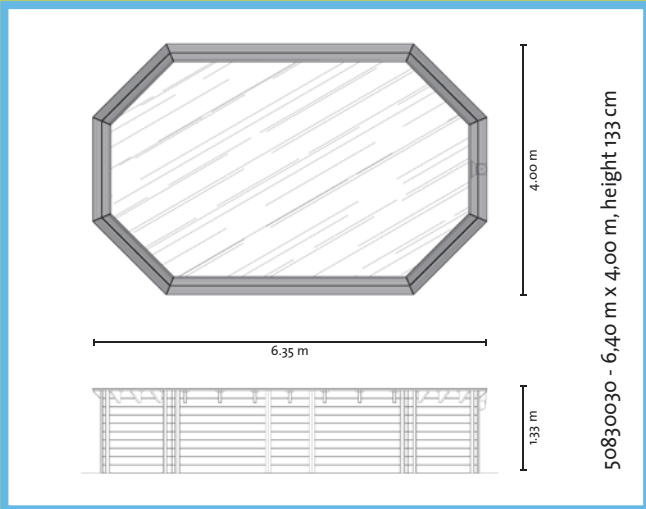
Above ground



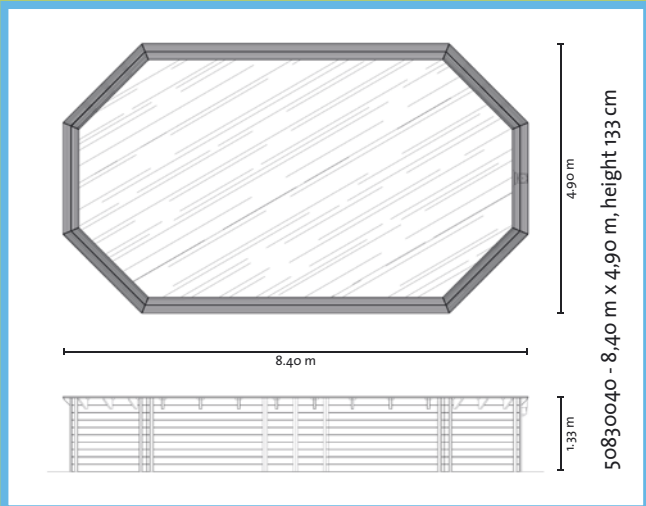
Semi-inground



Inground



50830030 - 6,40 m x 4,00 m, height 133 cm



50830040 - 8,40 m x 4,90 m, height 133 cm

Covers

Solar cover

Article number	Description
59300000	Ø 4,40 m
59300010	Ø 5,30 m
59300020	Ø 6,55 m
59300030	6,40 m x 4,00 m
59300040	8,40 m x 4,90 m

Winter cover

Article number	Description
59300100	Ø 4,40 m
59300110	Ø 5,30 m
59300120	Ø 6,55 m
59300130	6,40 m x 4,00 m
59300140	8,40 m x 4,90 m





A sturdy construction

A Timberpool wooden swimming pool is constructed by stacking beams one on top of the other using a tongue and groove linking system, this gives an optimum pressure distribution of the water against the beams. This tongue and groove system is stronger than just placing beams on top of each other. If you choose an oval pool the sideways pressure of the water is supported by H section strong galvanised steel profiles, these steel structural supports are neatly finished by using matching larch wood cappings.





Easy assembly

Extensive construction instructions are included with your Timberpool wooden swimming pool. Using these drawings, detailed explanations and a step-by-step DVD your Timberpool wooden swimming pool instructions are clear and easy to follow.

Peace of mind

When you buy a Timberpool swimming pool it comes complete with a piece of mind comprehensive guarantee. All wooden components are guaranteed for fifteen years, the swimming pool liner seam 2 year and the pump and filter 1 year.



Not only does a Timberpool swimming pool provide strength with beauty but it also comes with a guarantee of distinction.



**TIMBER
POOL**
SWIMMINGPOOLS

WWW.TIMBERPOOL.NET

All specifications, diagrams and photos are not binding. Technical specifications subject to change without notice.

