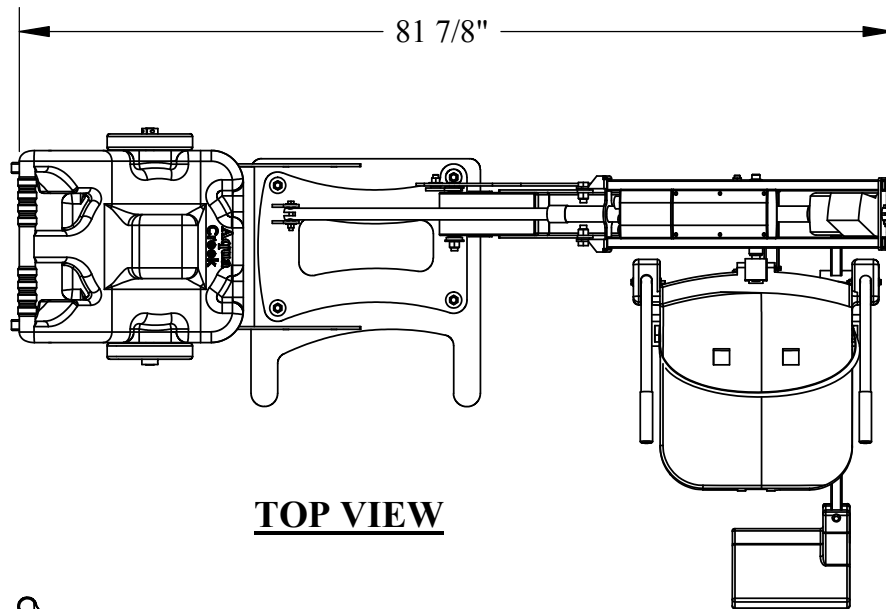
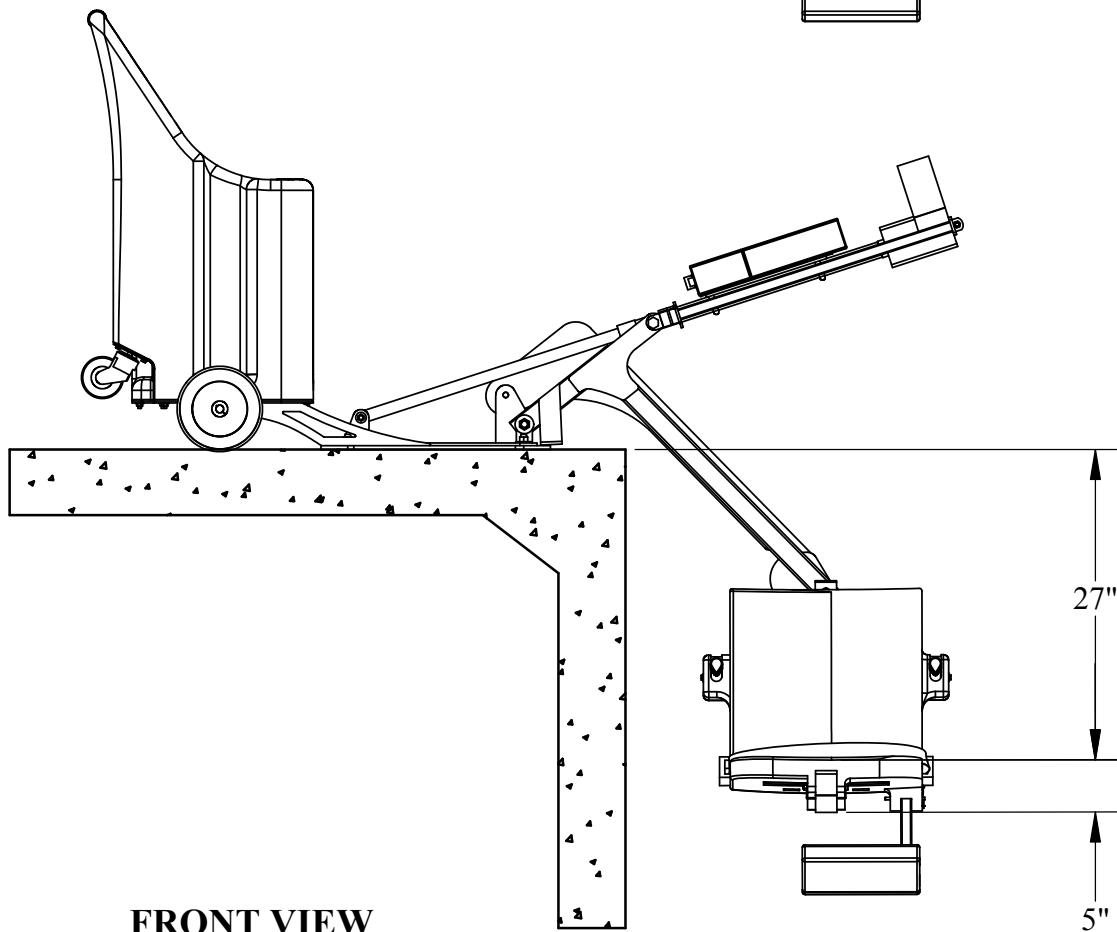


PORTABLE PRO POOL™ LIFT



TOP VIEW



FRONT VIEW

3015 W. RAILROAD ST. #8
 MISSOULA, MT 59808
 (406) 549-0769
 FAX (406) 549-2602

NOTE:
 *SPECIFICATIONS ARE SUBJECT TO CHANGE WITHOUT NOTICE
 *ALL DIMENSIONS ARE IN INCHES



PRODUCT:	F-004PPPB	
DWG #:	F-004PPPB-2	
SCALE:	1:18	DATE: 6/11/07
DRAWN BY:	DS	REVISION: D